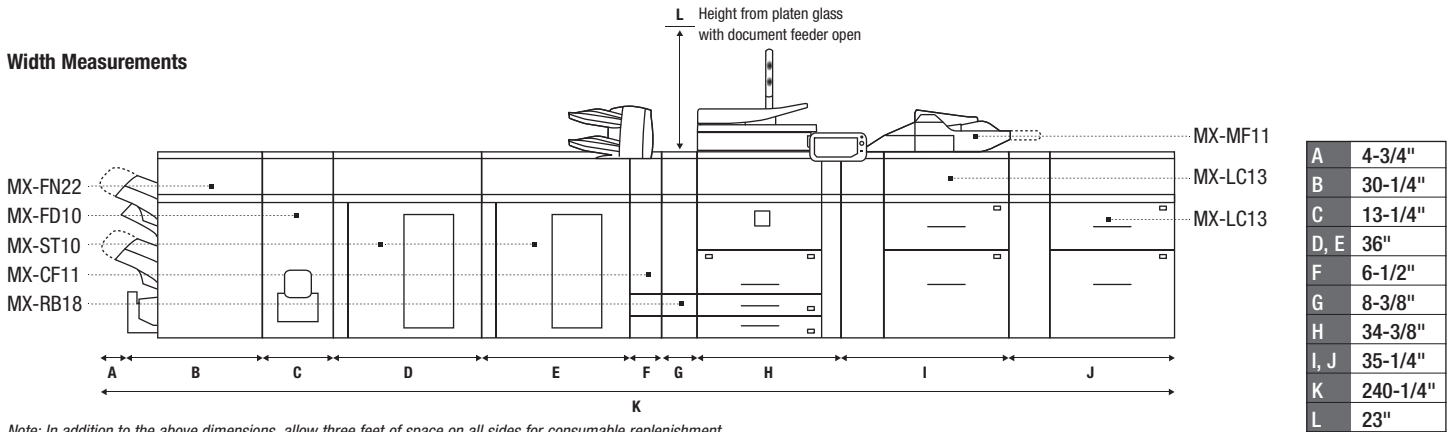


## SPACE REQUIREMENTS AND PLANNING GUIDE

### Width Measurements




Note: In addition to the above dimensions, allow three feet of space on all sides for consumable replenishment, paper jam removal, and maintenance and service procedures. Images may not be to scale.


### Installing Dealer

#### Read this document in its entirety before planning your configuration.

Plan ahead and make sure your installation is a great success! Remember to check the latest information on these products and make sure that the following items are available prior to installation.

- Verify dedicated power source and check for stability. The MX-M904/M1054/M1204 Document Systems require a 208-240 VAC, 60 Hz, 20 Amp power source.

 The MX-M904/M1054/M1204 main unit requires one 208-240 VAC, 20 Amp power source plug

 The MX-FN21, MX-FN22, MX-LC13, and MX-ST10 options each require separate 120 VAC, 15 Amp power source plugs.

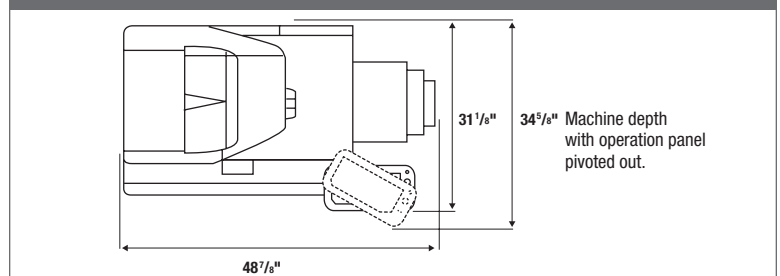
- Confirm that you have the latest firmware available from [www.sharp-pcservice.com](http://www.sharp-pcservice.com) to upgrade your MX-M904/M1054/M1204 Document Systems immediately.
- Some accessories require a product key for operation. You should obtain the accessory Application Code and machine's serial number to register the product key online prior to arrival at the customer location.
- Check to see if My Sharp™ online training is set up for the end-user.
- Verify that the customer has enough supplies on-hand to complete a large rush job. After-hours printing and/or holiday work may take place following an installation. See Supplies & Accessories list on the following page.



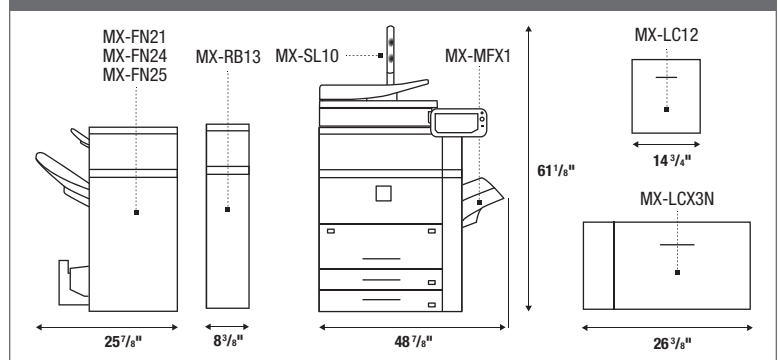
\*Illustrations shown are for measurement purposes only and may not be to scale. For configurations see subsequent pages.

Design and specifications are subject to change without notice. All product dimensions listed are approximate. Sharp, Sharp OSA, My Sharp and all related trademarks are trademarks or registered trademarks of Sharp Corporation and/or its affiliated companies. PCL is a registered trademark of HP Company. Adobe and PostScript are registered trademarks of Adobe Systems Inc. GBC is a registered trademark of ACCO Brands. All other trademarks are the property of their respective owners.

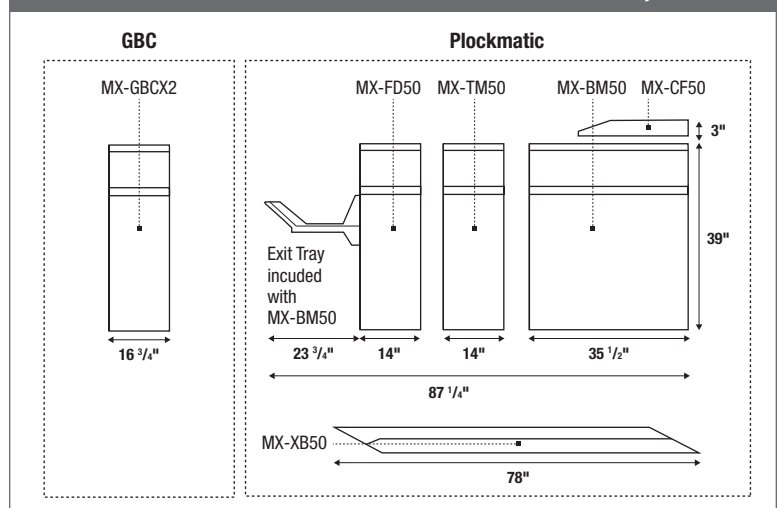
### Depth Measurements (overhead view) \*



### Measurements for MX-FN21, MX-FN24, MX-FN25, MX-SL10, and MX-MFX1, MX-LC12, MX-LCX3N.\*

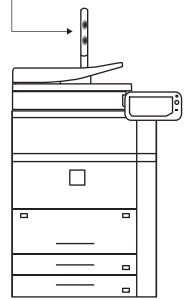


### Measurements for GBC SmartPunch™ Pro and Plockmatic Booklet Maker System.\*

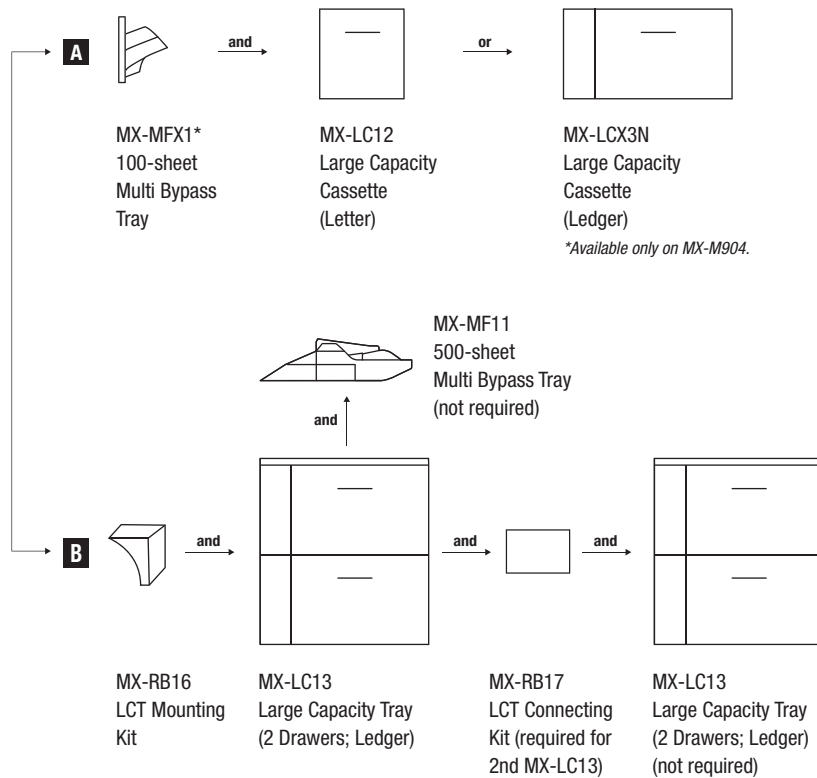


### STEP 1: CHOOSE PAPER FEED CONFIGURATION

MX-SL10 (optional)  
Status Indicator can be  
added to any configuration.



MX-M904/M1054/M1204



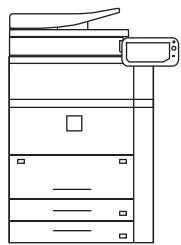
\*The MX-MFX1 is required if no other paper feed options are selected.

#### Configuration A

**A** These configurations require the MX-MFX1. The MX-LC12 cannot be used with the MX-LCX3N. The MX-LCX3N is available only on the MX-M904. These items cannot be combined with items from paper feed configuration B.

#### Configuration B

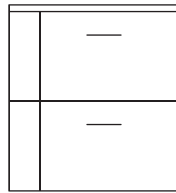
**B** This configuration requires the MX-RB16 and MX-LC13. An MX-RB17 is required to connect two MX-LC13 Large Capacity Trays. The MX-MF11 can also be added to the first MX-LC13, but cannot be used alone. These items cannot be combined with items from paper feed configuration A.



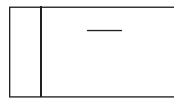
1. Base Unit



2. MX-LC12



3. MX-LC13



4. MX-LCX3N



5. MX-MFX1



6. MX-MF11

### Supported Paper Weights

#### 1. Base Unit

Upper Drawer (tandem): 16 lb. Bond to 28 lb. Bond  
Middle/Lower Drawer: 16 lb. Bond to 100 lb. Bristol

#### 2. MX-LC12

16 lb. Bond to 100 lb. Bristol

#### 3. MX-LC13

Upper/Lower Drawer: 15 lb. Bond to 110 lb. Cover

#### 4. MX-LCX3N

16 lb. Bond to 100 lb. Bristol

#### 5. MX-MFX1

15 lb. Bond to 110 lb. Cover

#### 6. MX-MF11

15 lb. Bond to 100 lb. Bristol

### Supplies & Accessories

- Toner Cartridge
- Developer
- Drum
- Waste Toner Bottle

MX-900NT  
MX-900NV  
MX-850NR  
MX-850HB

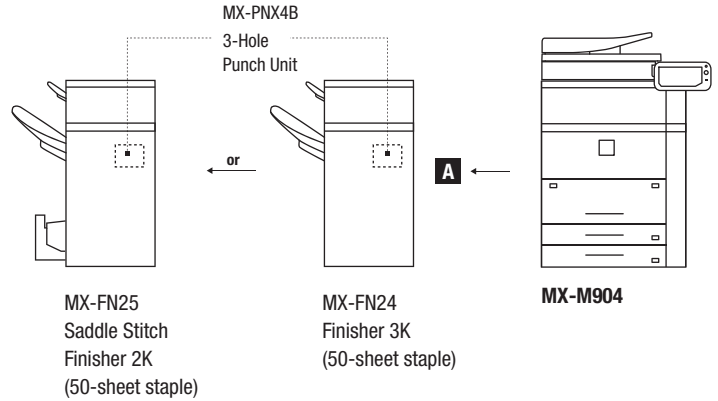
- 120V/15A Power Filter (for MX-FN21, MX-FN22, MX-LC13, and MX-ST10)
- 208-240V/20A Power Filter (for MX-M904/M1054/M1204)

AR-D5133NT  
MX-E524ZNT

### STEP 2: CHOOSE FINISHING CONFIGURATION

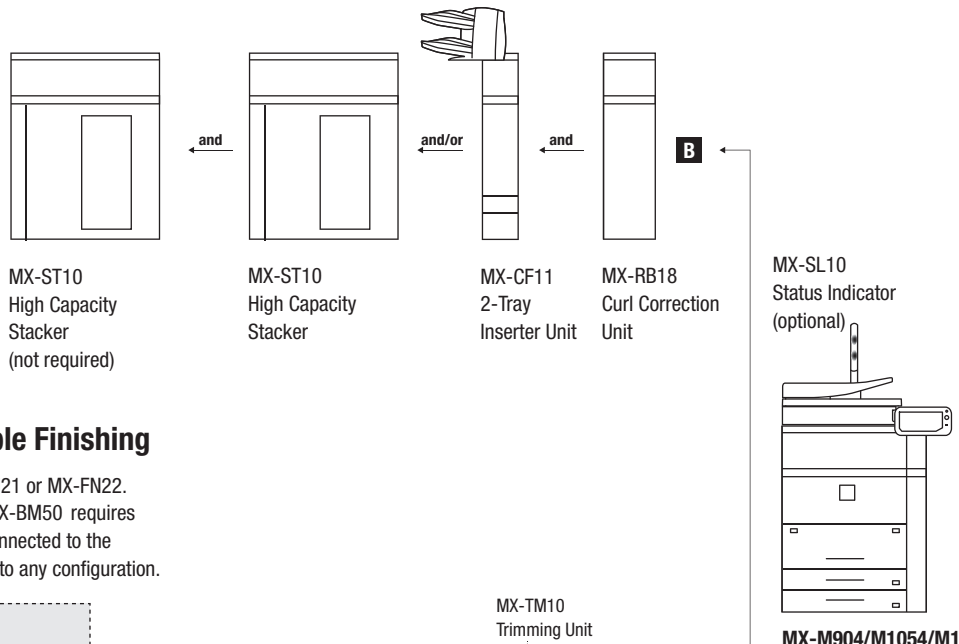
#### Configuration A: 50-sheet Staple Finishing

**A** This configuration requires the MX-M904 and the MX-FN24 or MX-FN25. The MX-FN24 cannot be used with the MX-FN25. The MX-PNX4B can be added, but cannot be used alone. These items cannot be combined with items from other finishing configurations.



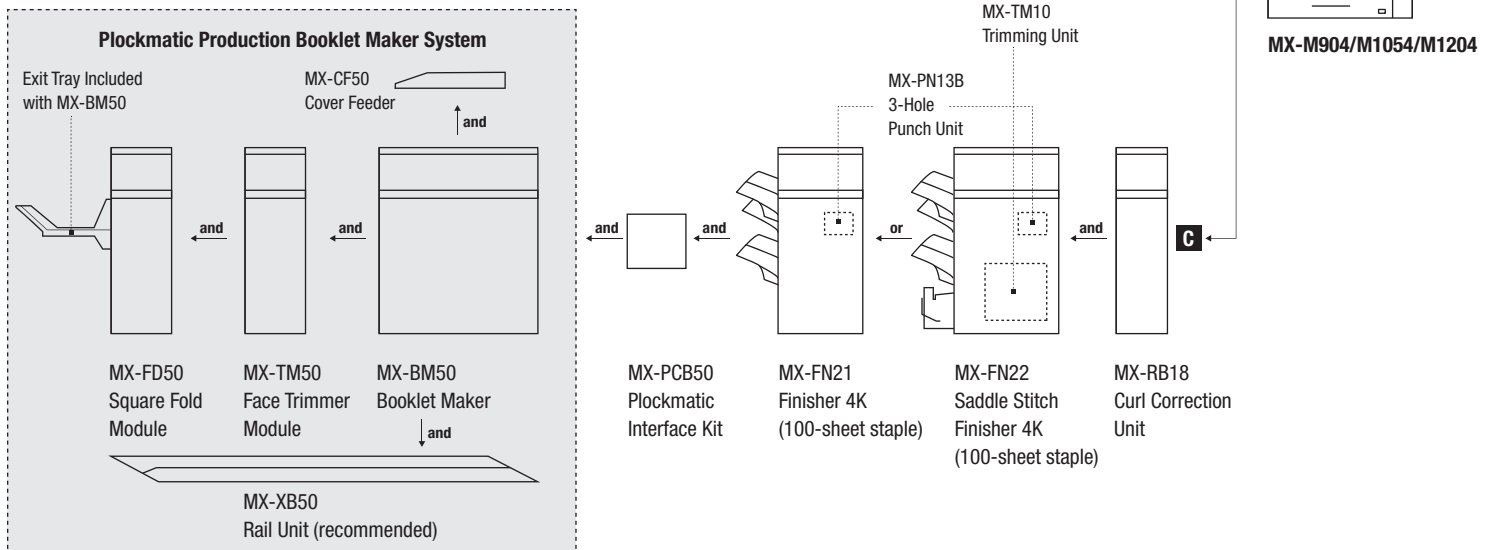
#### Configuration B: High Capacity Stacking

**B** This configuration requires the MX-RB18 and one MX-ST10. An additional MX-ST10 can be added, but is not required. Each MX-ST10 includes one MX-CA10 Paper Cart. Additional paper carts can be ordered for convenience. The MX-SL10 Status Indicator can be added to any configuration.



#### Configuration C: Basic 100-sheet Staple Finishing

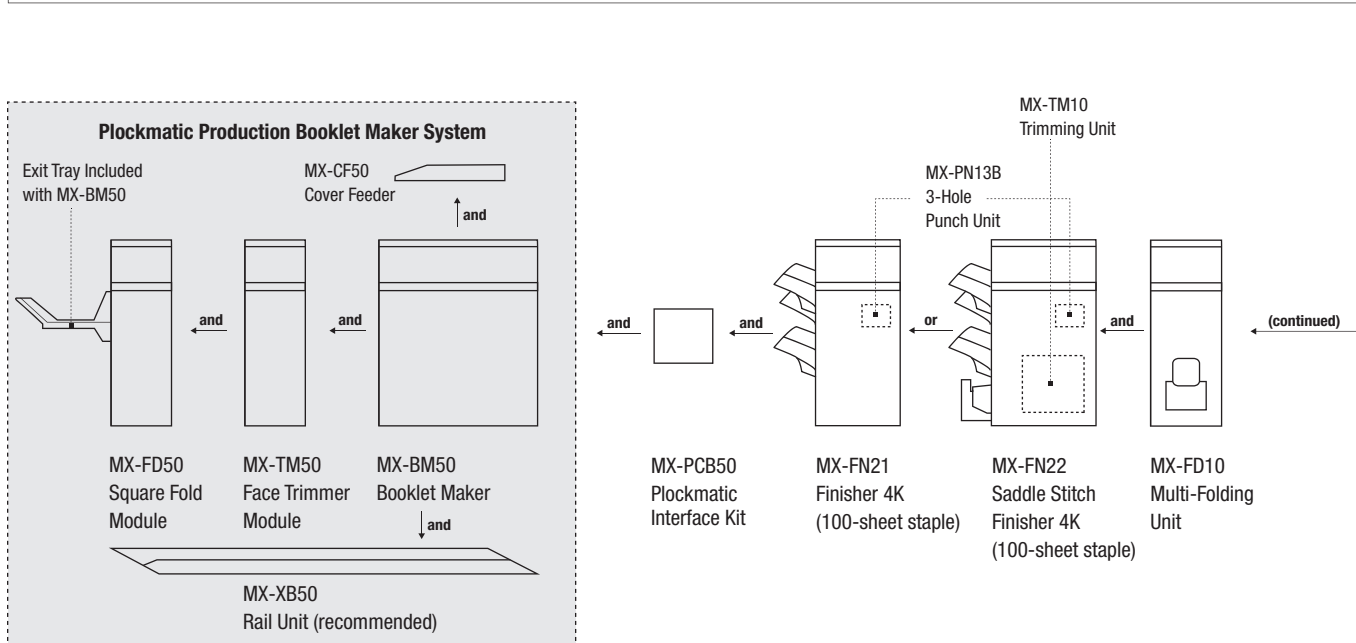
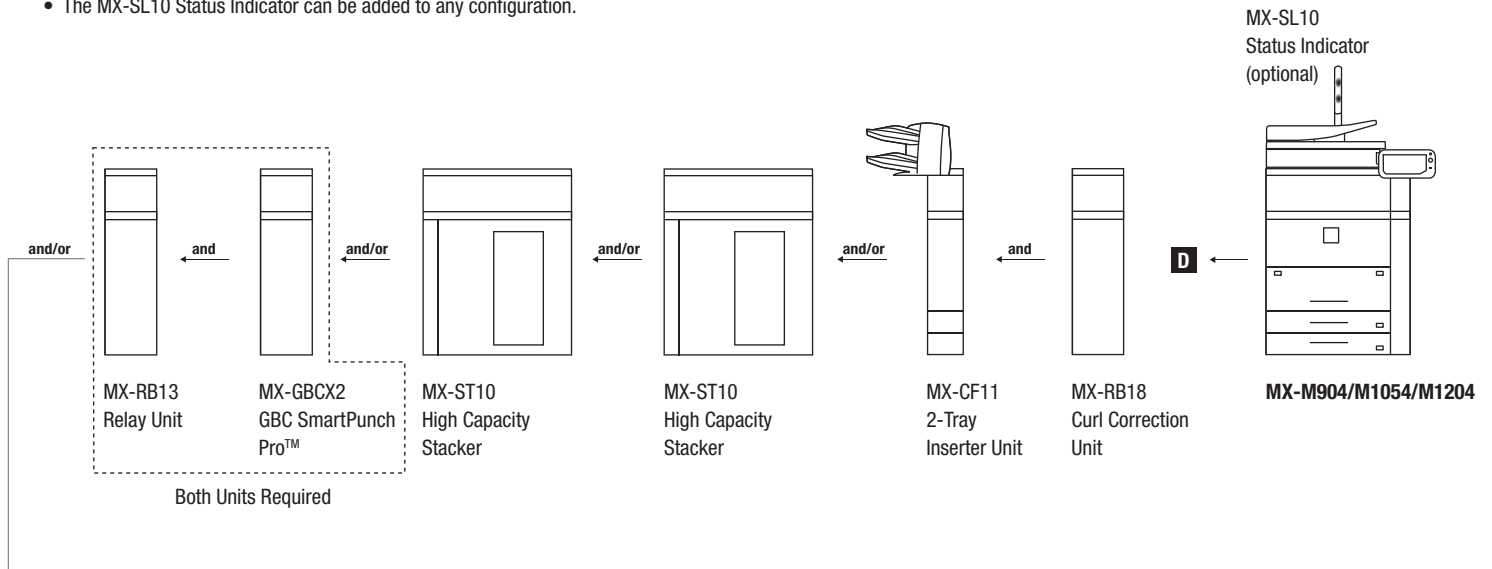
**C** This configuration requires the MX-RB18 and the MX-FN21 or MX-FN22. The MX-FN21 cannot be used with the MX-FN22. The MX-BM50 requires the MX-FN21 and MX-PCB50. The MX-FD50 must be connected to the MX-TM50. The MX-SL10 Status Indicator can be added to any configuration.



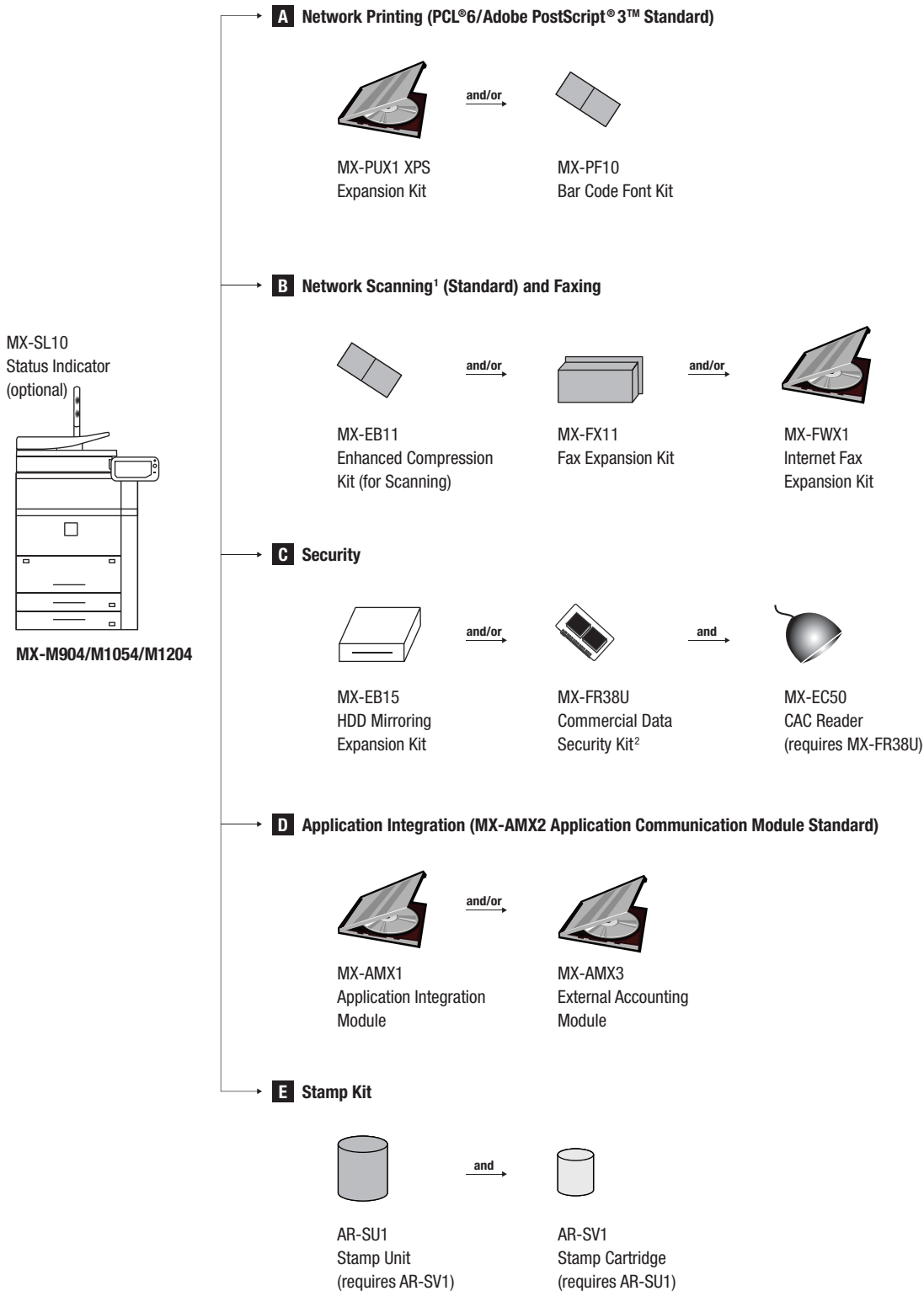
### STEP 2: CHOOSE FINISHING CONFIGURATION *(continued)*

#### Configuration D: Advanced 100-sheet Staple Finishing

- D** This configuration requires the MX-RB18 and an MX-FN21 or MX-FN22.
- The MX-CF11, both MX-ST10s, MX-GBCX2, MX-FD10, and Plockmatic Production Booklet Maker System are all optional.
  - The MX-GBCX2 requires the MX-RB13 (The MX-RB13 is only required when using the MX-GBCX2).
  - The MX-RB13 or MX-FD10 is required to connect a 100-sheet finisher and 2-Tray Inserter Unit directly.
  - The MX-FN21 cannot be used with the MX-FN22.
  - The MX-BM50 requires the MX-FN21.
  - The MX-FD50 must be connected to the MX-TM50.
  - The MX-SL10 Status Indicator can be added to any configuration.



### STEP 3: SELECT CONNECTIVITY COMPONENTS



<sup>1</sup> Sharp OSA Network Scanner Tool and Sharpdesk® license upgrade kits are also available, see price list.  
<sup>2</sup> See price list for availability dates.